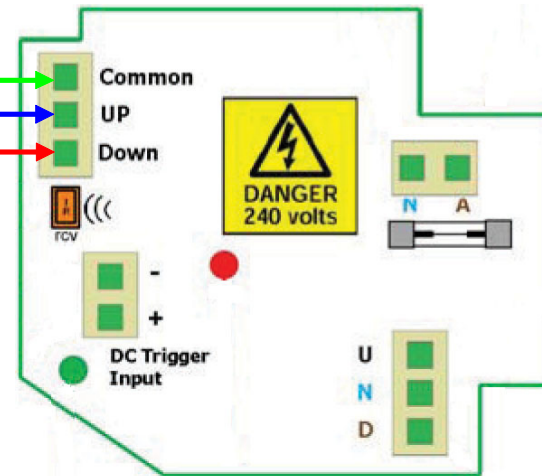
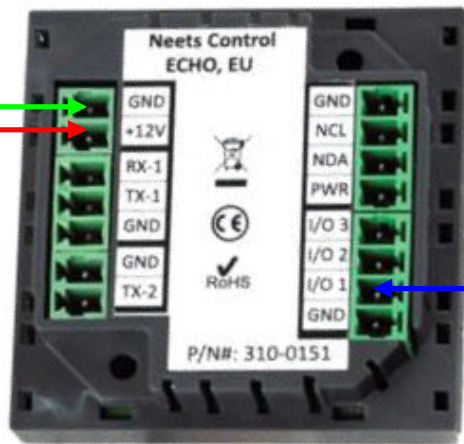


Contact Close Input

Needs GND to screen Common
 Needs I/O 1 to screen Down
 Needs I/O 2 to screen Up

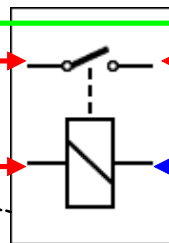
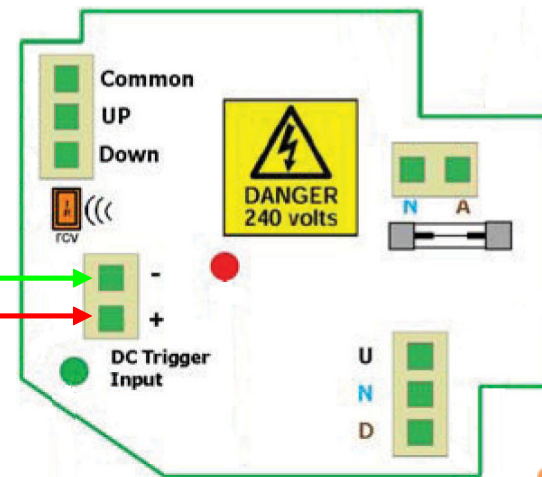


Needs Plug Pack
 Power Supply
 12VDC



DC Trigger Input

Needs GND to screen -
 Needs 12V to relay common & coil
 Needs I/O 1 to relay coil



12VDC Relay N/O